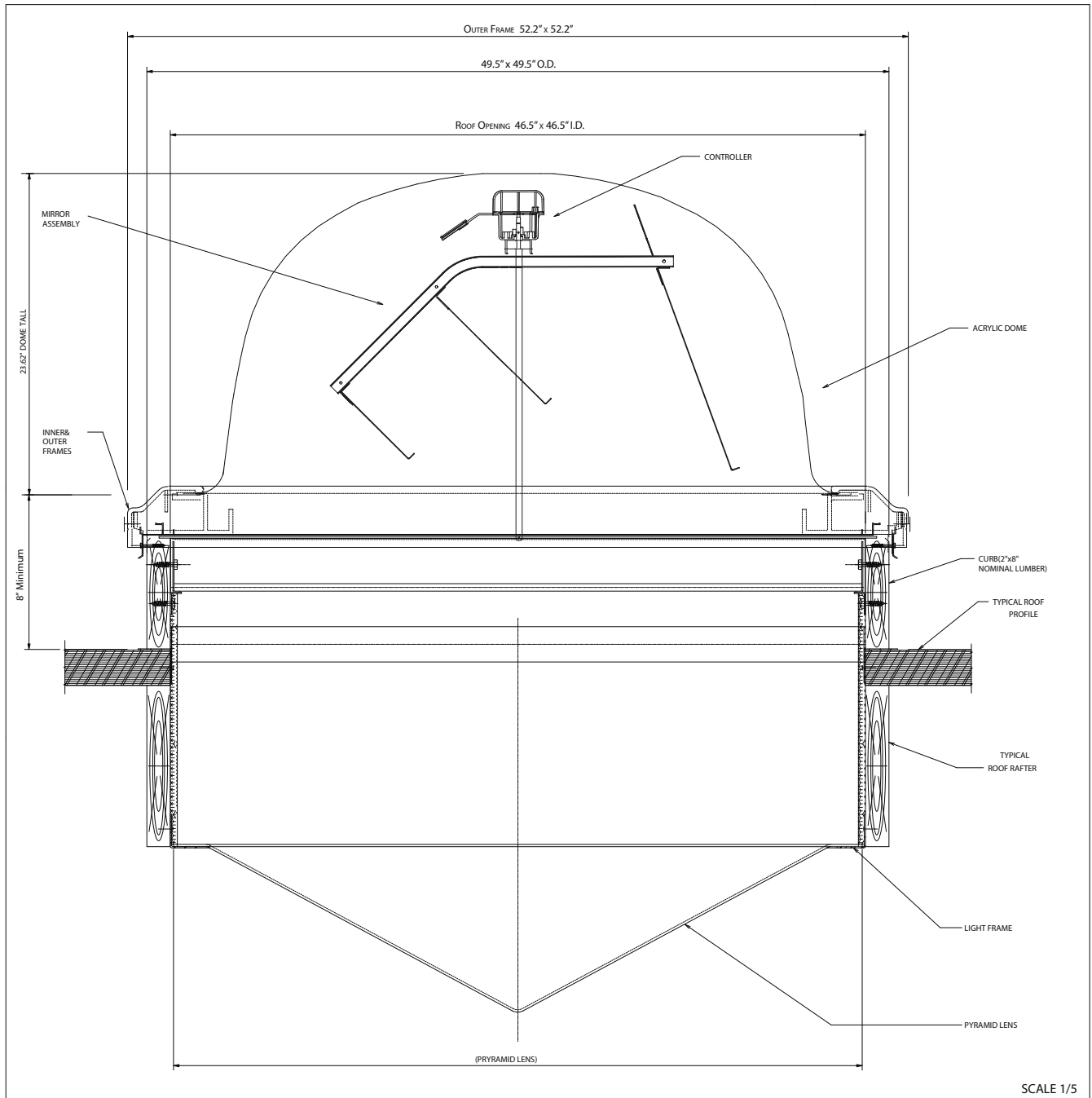




# SunTrackerOne™

## Advanced Daylighting System Product Specification Sheet

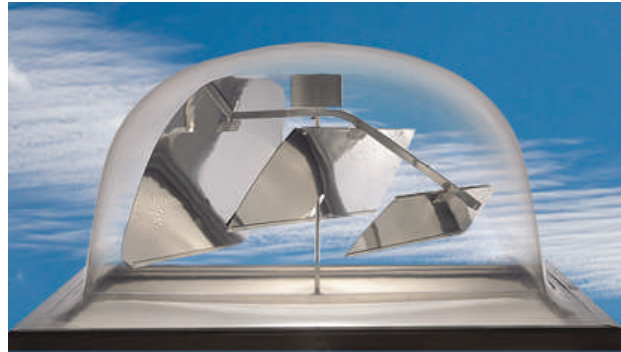
The SunTrackerOne, three-mirror dynamic tracking array harvests full-spectrum daylight – capturing low and medium sun angles. GPS coordinates programmed into the controller ensure the mirrors are always directed toward the sun at any time of year. This illustration demonstrates a typical roof installation with curbs and a light well.





# SunTrackerOne™

## Advanced Daylighting System Product Specification Sheet



### SunTrackerOne Specifications

<b>Overall Dimensions</b>	51.2 X 51.2 X 26 in. (1300 X 1300 X 660 mm)
<b>Roof Opening</b>	46.5 X 46.5 in. (118.11 cm square)
<b>Net weight</b>	28 lbs.

<b>Dome</b>	Extruded sheet of high impact, optically clear, acrylic with UV protection. Light Transmission: ASTM D-1003, 91% at 0.125 thickness. Rockwell hardness: ASTM D-785 (M Scale), 45 Impact Strength: ASTM D-256 (IZOD)
<b>Frame</b>	Extruded Aluminum Alloy type 6063 T5 welded, with integral condensation gutters and gasket.
<b>Mirrors</b>	Aluminum reflector coated with a super reflective oxide-layer system on one side to reflect light. Reflection to ASTM E-1651 (95%).
<b>Mirror Support</b>	Extruded aluminum tube (Aluminum thickness not less than 1.2mm)
<b>Controller</b>	Polycarbonate / ABS blend. Contains micro controller and electronic real-time clock to calculate current sun position. Precision gears and sealed bearing for maintenance free operation. Powered by super capacitors charged by a photo-voltaic solar cell.
<b>Flat Diffusion Lens</b>	At top of light well, Prismatic Optix Acrylic. Overall thickness of 3mm and 91% translucence.
<b>Pyramid Diffusion Lens</b>	At bottom of light well, clear polycarbonate formed into a raised pyramid shape, with an overall thickness of 3mm and 91% translucence. Optional white translucent lens with 80% translucence.